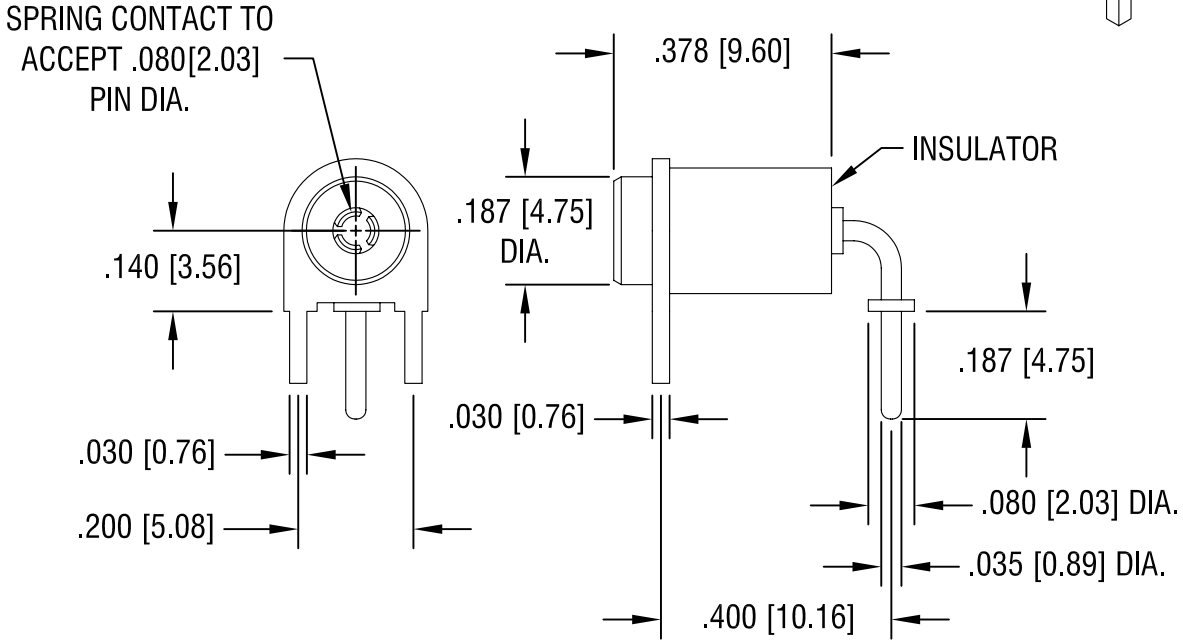
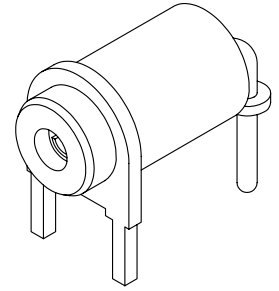


THIS DOCUMENT IS THE PROPERTY OF  
KEYSTONE ELECTRONICS CORP. AND  
SHALL NOT BE REPRODUCED, DISTRIBUTED  
OR USED AS A BASIS FOR MANUFACTURE  
WITHOUT PRIOR WRITTEN PERMISSION  
FROM KEYSTONE ELECTRONICS CORP.



**NOTES:**

1. TERMINAL JACK: MAT'L - BERYLLIUM COPPER (QQ-C-533)
2. BUSHING: MAT'L - PTFE
3. MOUNTING BRACKET: MAT'L - BRASS

PART NO.	COLOR
11015	WHITE
11015-R	RED
11015-B	BLACK

<b>KEYSTONE ELECTRONICS CORP.</b>			
ASTORIA, N.Y. 11105-2017			
PART NAME			
HORIZONTAL INSULATED TEST JACK			
MATERIAL			
AS NOTED			
FINISH		DRN BY	DATE
GOLD PLATE		N.T.	7.10.07
		APP'D	SCALE
		LN	3X
TOLERANCES	INCH [MM]	CODE	DWG NO.
DECIMAL	± .005 [± 0.15]	C/M	<b>11015-</b>
ANGULAR	± 1°		
UNLESS OTHERWISE SPECIFIED			

DATE	DESCRIPTION	REV.