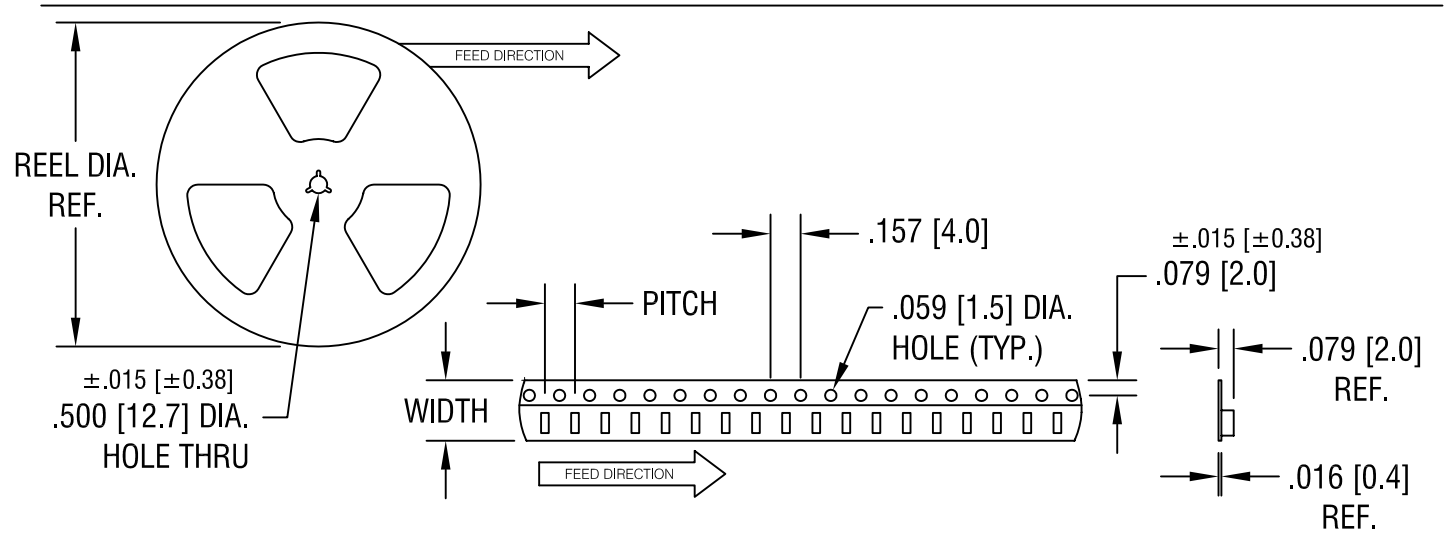
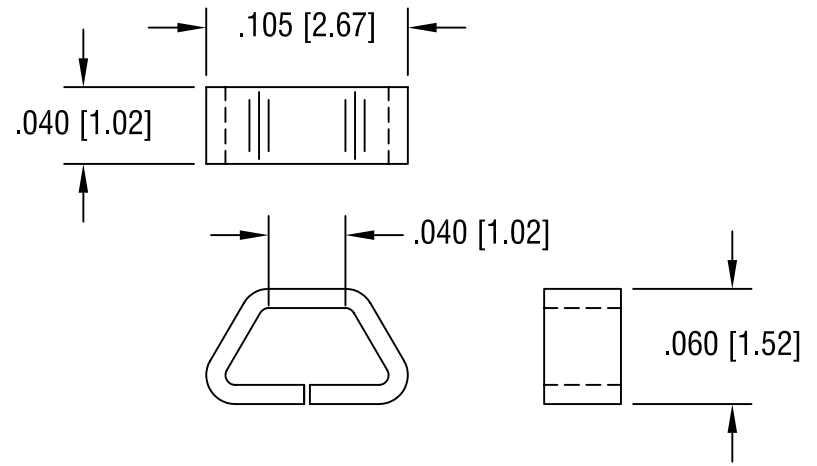
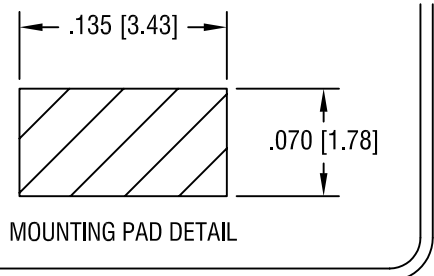


THIS DOCUMENT IS THE PROPERTY OF  
KEYSTONE ELECTRONICS CORP. AND  
SHALL NOT BE REPRODUCED, DISTRIBUTED  
OR USED AS A BASIS FOR MANUFACTURE  
WITHOUT PRIOR WRITTEN PERMISSION  
FROM KEYSTONE ELECTRONICS CORP.



NOTES:

1. SUPPLIED ON TAPE AND REEL ONLY.  
TAPES AND REEL SPECIFICATIONS:
2. TAPE:  
MAT'L - ALL CONDUCTIVE POLYSTYRENE CARRIER  
ANSI/EIA-481 STANDARD  
.315 [8.0] WIDE; .157 [4.0] PITCH
3. REEL:  
13.0 [330.2] DIA. 5000 PIECES OF  
PART NO. 5017 PER REEL.

<b>KEYSTONE ELECTRONICS CORP.</b>			
ASTORIA, N.Y. 11105-2017			
PART NAME			
TEST POINT, MINIATURE, SURFACE MOUNT			
MATERIAL			
.010 [0.25] TH'K PHOSPHOR BRONZE			
FINISH		DRN BY	DATE
SILVER PLATE		BOONE	5.1.01
		APP'D	SCALE
		LN	10X, 1X
TOLERANCES		DWG NO.	
INCH	[MM]		
DECIMAL	± .005 [± 0.15]		
ANGULAR	± 1°		
UNLESS OTHERWISE SPECIFIED			
CODE		<b>5017</b>	
C/M			

6.20.07	CHANGE AS PER ECN 07-039	B
DATE	DESCRIPTION	REV.