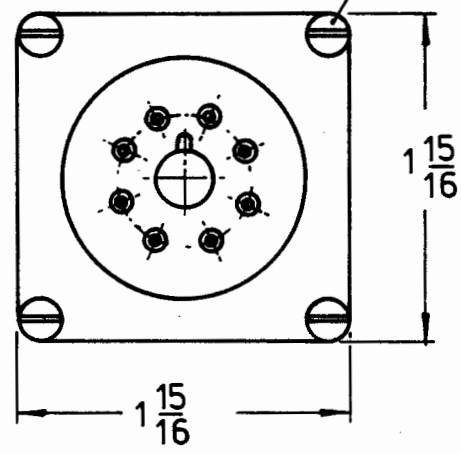
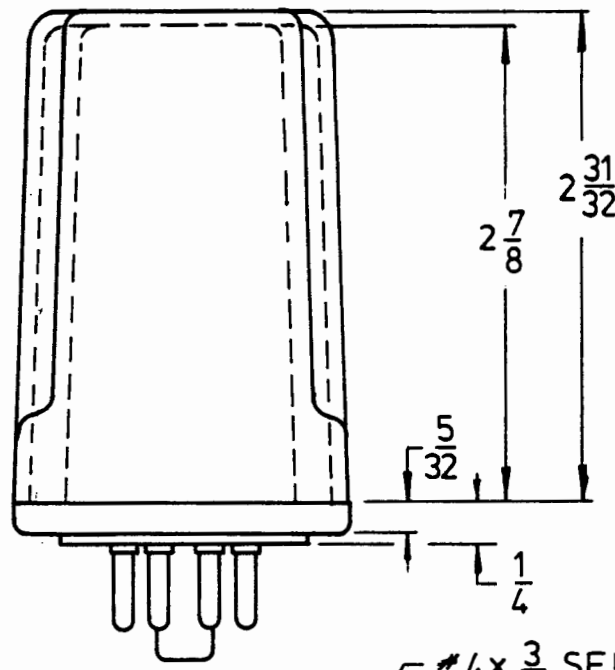


NO.

REV.



#4 x 3/8 SELF-TAPPING SCR.
 (4) PLACES
 MAT'L - STEEL
 ZINC PLATED.

NOTE:
 MAT'L - HOUSING: LEXAN
 - HEADER: GENER PURPOSE
 PHENOLIC
 - PIN: BRASS
 NICKEL PLATED.

KEYSTONE ELECTRONICS CORP. NEW YORK, N.Y. 10012			
PART NAME		PLUG-IN HOUSING	
MATERIAL		LEXAN	
FINISH	—	DRAWN BY	L.N.
		DATE	3.5.82
		APPROVED	A.A.
		SCALE	—
TOLERANCES		DWG. NO.	
FRACTIONAL ±		650	
DECIMAL ±			
ANGULAR ±			
UNLESS OTHERWISE NOTED			

DATE	REVISION	ISSUE
------	----------	-------