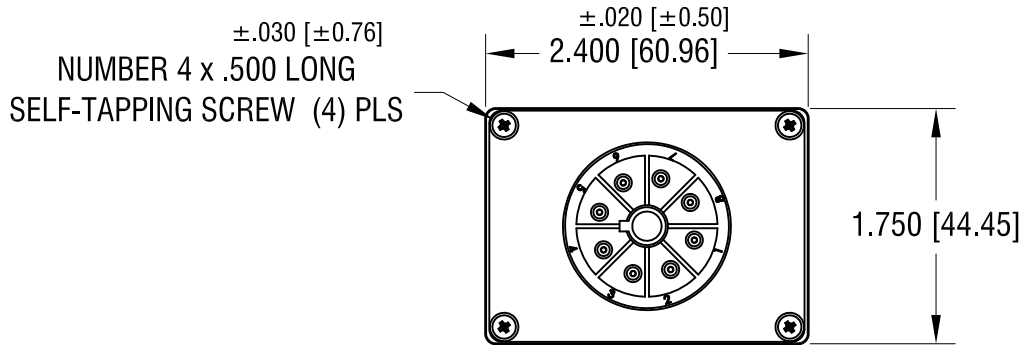
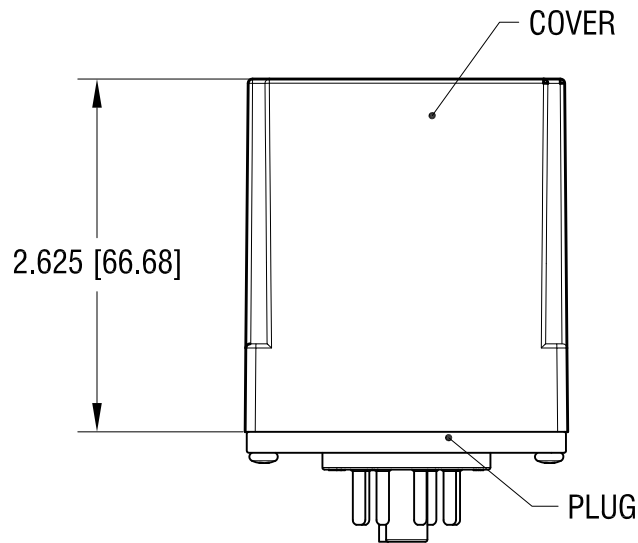


THIS DOCUMENT IS THE PROPERTY OF
KEYSTONE ELECTRONICS CORP. AND
SHALL NOT BE REPRODUCED, DISTRIBUTED
OR USED AS A BASIS FOR MANUFACTURE
WITHOUT PRIOR WRITTEN PERMISSION
FROM KEYSTONE ELECTRONICS CORP.



NOTE:

1. COVER: MAT'L- LEXAN
COLOR- CLEAR
2. PLUG: MAT'L- PHENOLIC

9.8.11 REDRAWN IN CAD FORMAT

DATE	DESCRIPTION	REV.

KEYSTONE ELECTRONICS CORP.			
www.keyelco.com • ASTORIA, N.Y. 11105-2017 • Tel (718) 956-8900			
PART NAME		PLUG-IN HOUSING	
MATERIAL		AS NOTED	
FINISH	DRN BY	LN	DATE
-	APP'D	LN	1.13.82
TOLERANCES	INCH	[MM]	SCALE
DECIMAL	± .015	[± 0.38]	.7X
ANGULAR	± 1°		
UNLESS OTHERWISE SPECIFIED		CODE	DWG NO.
		C	712