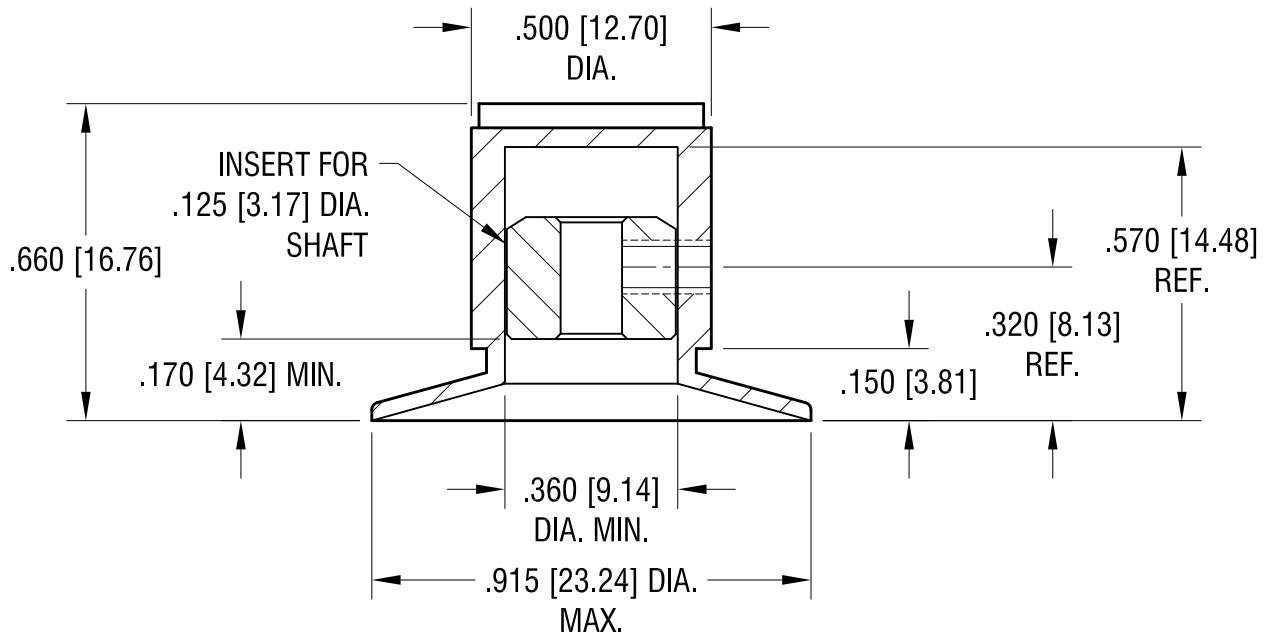
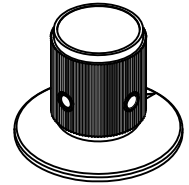
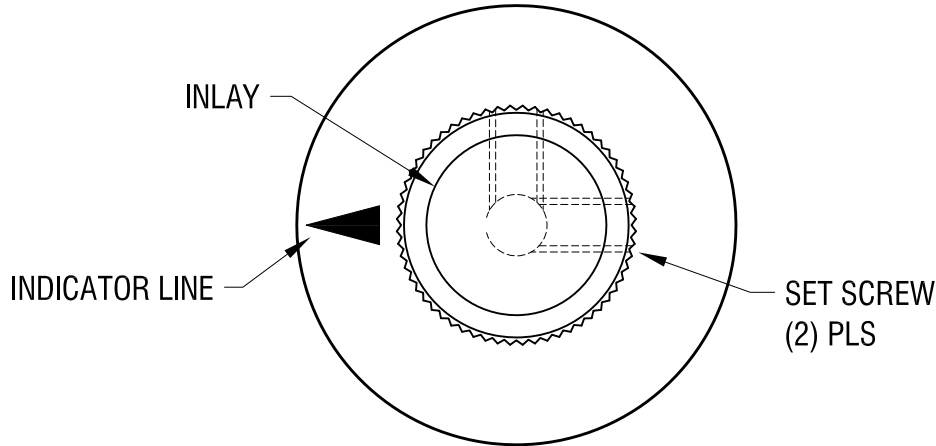


THIS DOCUMENT IS THE PROPERTY OF
KEYSTONE ELECTRONICS CORP. AND
SHALL NOT BE REPRODUCED, DISTRIBUTED
OR USED AS A BASIS FOR MANUFACTURE
WITHOUT PRIOR WRITTEN PERMISSION
FROM KEYSTONE ELECTRONICS CORP.



NOTES:

- 1. KNOB: MAT'L: ABS, BLACK
- INSERT: MAT'L: BRASS, NICKEL PLATE
- INLAY: MAT'L: SPUN ALUMINUM
- SCREW: STEEL, BLACK ZINC PLATE

10.11.07	CHANGE AS PER ECN 07-065	A
DATE	DESCRIPTION	REV.

KEYSTONE ELECTRONICS CORP.			
ASTORIA, N.Y. 11105-2017			
PART NAME		KNOB	
MATERIAL		AS NOTED	
FINISH	AS NOTED	DRN BY	BOONE
		APP'D	LN
		DATE	1.8.07
		SCALE	2.5X
TOLERANCES	INCH [MM]	CODE	DWG NO.
DECIMAL	± .015 [± 0.38]	C/M	8558
ANGULAR	± 1°		
UNLESS OTHERWISE SPECIFIED			